

## ESTEAM CLEANING SYSTEMS

# **NINJA 200 MODELS**

## OWNER'S MANUAL

Congratulations on your selection of a new Ninja soil extractor built in Canada by "Esteam Cleaning Systems." Our goal has been to produce the best high performance line of carpet cleaning equipment on the market today. Reading your owners manual will help to achieve maximum benefit from your purchase.



# TABLE OF CONTENTS

	Page No.
Introduction on the Ninja 200	2
Specifications	2
Maintenance	3
Safety Information	3
Operating Instructions	4
Trouble Shooting	7
Schematic	10
Warranty Registration	29
Warranty	30

## INTRODUCTION

Be it a small residential job or a large commercial contract, Esteam Cleaning Systems industrial carpet cleaning extractors are right for your needs. The Ninja 200 delivers the ultimate in power, capacity, durability, and performance. The Ninja 200 is a light weight portable electronic truckmount, and is one of the most powerful soil extractors on the market.

Only the highest quality components go into our equipment, to deliver you strength and reliability in a long life high performance machine. All Esteam Cleaning Systems equipment housings are made of high impact, unbreakable polyethylene.

The Ninja 200 incorporates a dual 2 stage vacuum producing 150 inches of water lift or 185 inches of water lift with optional dual 3 stage vacuum. To compliment the vacuum lift the Ninja 200 comes standard with a 200 PSI twin piston pump. No cleaning job is too large for the Ninja 200.

## SPECIFICATIONS NINJA 200

	<b><i>NJA200 NJA200-20</i></b>	<b><i>NJA200-05 NJA200-20-05</i></b>	<b><i>NJA200-10 NJA200-20-10</i></b>
<b><i>ELECTRICAL</i></b> Amps Volts	One cord 14 amps 115 volts (220 volts)	Two cords 14 amps per cord 115 volts (220 volts)	Two cords 14 amps per cord 115 volts (220 volts)
<b><i>VACUUM MOTOR</i></b> Cfm's Vacuum lift	2-2 stage 94 150"	2-3 stage High Performance 101 185"	2-2 stage 94 150"
<b><i>PUMP</i></b> Pump Motor	200 psi Plunger 1/20 HP A/C	200 psi Plunger 1/20 HP A/C	200 psi Plunger 1/20 HP A/C
<b><i>INTERNAL HEATER</i></b>	N/A	N/A	1850 watt / 200°F
<b><i>SOLUTION TANK</i></b> (Clean water)	10.5 gallons (40 litres)	10.5 gallons (40 litres)	10.5 gallons (40 litres)
<b><i>RECOVERY TANK</i></b>	10.5 gallons (40 litres)	10.5 gallons (40 litres)	10.5 gallons (40 litres)
<b><i>LENGHT</i></b>	26 inches (66 cm)	26 inches (66 cm)	26 inches (66 cm)
<b><i>WIDTH</i></b>	17 inches (43 cm)	17 inches (43 cm)	17 inches (43 cm)
<b><i>HEIGHT</i></b>	34 inches (86 cm)	34 inches (86 cm)	34 inches (86 cm)
<b><i>WEIGHT</i></b>	110 lbs (49.8 kgs)	115 lbs (52 kgs)	115 lbs (52 kgs)

# MAINTENANCE

## DAILY:

- Clean high water level float screen inside the recovery tank.
- Ensure high level float ball is working properly.
- Rinse out recovery tank after use.
- Clean dirt and obstructions from the (recovery tank) drain valve rubber gaskets to prevent premature wear.
- Rinse out pump with clean water at conclusion of work day.
- Clean poly housing with mild soap and water.
- Check machine fuse.

## MONTHLY:

- Clean air inlet and check exhaust port.
- Check to make sure cooling fan is operating properly.
- Check 1 ½ dump valve seal.

## YEARLY:

- We recommend that your unit be inspected by a qualified service technician once a year.

## PREVENTATIVE MAINTENANCE:

- Never store this unit in a place where there is a possibility of the temperature dropping below 0°C (32°F).

# SAFETY INFORMATION

1. Prior to inspection or repair of this machine, disconnect all electrical cords rendering the machine powerless. Failure to do so could result in serious or fatal injury.
2. Inspect unit daily for worn or damaged components. E.g. frayed cord, loose plug, or a plug with missing ground pin, etc.
3. This unit should only be operated when in an upright position on a level surface.
4. Do not operate unit unless it is properly grounded in a 3 pin grounded outlets. Never bend or remove ground pin from plugs.
5. Ensure filters and screens are free from lint or dirt.
6. Do not run unit if vacuum motor or pump is wet. Allow sufficient time for motor to dry before plugging unit in.

7. Do not use solvent based cleaning products in this extractor.
8. Keep air inlets and exhaust ports free from obstructions. Blocked air inlets or exhaust ports can cause the unit to overheat.
9. Do not use solution or recovery tanks for storing hoses, cords or accessories.
10. When using electrical equipment around water it is important to wear rubber soled shoes and keep machine properly grounded at all times. Failure to do so could result in a fatal electric shock.

## **OPERATING INSTRUCTIONS**

1. Insert electrical cords into 3 pin grounded outlets. Two cord machines that are equipped with an **Optional** Circuit Indicator located above the Switch Plate. The electrical cords must be plugged into separate circuits. When this is achieved the green light will illuminate showing the machine is ready for operation.
2. We recommend the use of a Esteam Liquid defoamer, to prevent the machine from prematurely shutting off due to excess foam in the recovery tank. Turn on vacuum and pour approximately ¼ cup of Esteam Liquid Defoamer into the end of the vacuum hose.
3. 200 PSI Plunger pump priming instructions:
  - Fill fresh water tank
  - Turn on vacuum
  - Turn on pump
  - Cover vacuum barb on recovery tank
  - Pull prime valve trigger for about 30 seconds
  - Shut off pump and vacuum
  - Connect hoses for cleaning and machine is ready to use.
4. To adjust pump pressure: Turn pressure regulator (located at the lower front of machine) clockwise to increase pressure; counter-clockwise to decrease pressure.

## **TO USE YOUR NINJA HEATER:**

- A. Hook the wand solution hose to the quick connect of your machine.
- B. Plug the heater power cord into a wall that is on a separate circuit form the other cord.
- C. Turn the heater switch on.
- D. When the red light goes out, solution is heated and ready to use.

## OPERATING INSTRUCTIONS (CONTINUED)

**WARNING:** If your heater does not work DO NOT attempt to repair it yourself, call your distributor for repair procedures. Using solvents in heaters can be hazardous and will void your warranty. Allowing heaters to freeze will crack the heater cartridge and will also void your warranty.

**DANGER:** No solvents of any type may be used in this system at any time. The use of solvents is extremely hazardous resulting in possible fire and/or explosion.

5. Connect vacuum and solution hoses to the carpet cleaning wand.
6. Proceed to clean carpets.
7. When the recovery tank becomes full, vacuum will automatically stop extracting. When vacuum stops extracting it will make a distinctive high pitched noise as all the air flow will be cut off. At this time switch unit off. Drain the recovery tank by pulling up on drain valve on front of machine.

**NOTE:** Ensure that the high water level float screen inside the recovery tank is free from any obstructions. Be sure to close drain valve before resuming cleaning.

8. To empty solution tank remove vacuum hose from wand. Turn on vacuum and extract solution from solution tank into recovery tank, then drain recovery tank.

**NOTE:** Do not completely submerge end of vacuum hose into solution. Allow some air to enter end of vacuum hose with liquid.

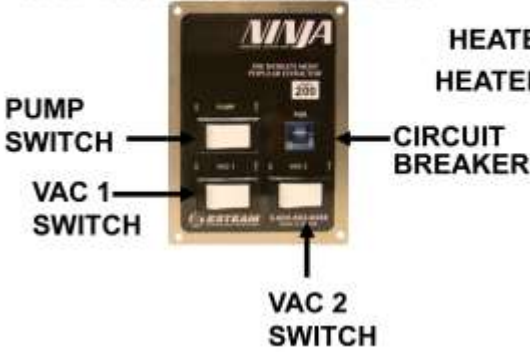
9. When the job is completed empty and rinse out the solution and recovery tanks. Allow vacuum to run for 3 to 5 minutes. This will eliminate all moisture from vacuum assuring long vacuum life.

**WARNING:** When using electrical equipment around water it is important to wear rubber soled shoes and keep machine properly grounded at all times. Failure to do so could result in electric shock.

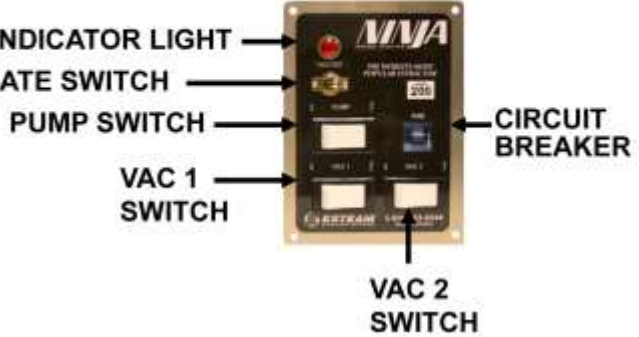
# NINJA 200 MODELS



MODEL 200PSI 2-2 STAGE VAC &  
MODEL 200PSI 2-3 STAGE VAC



MODEL 200 HM



# TROUBLE SHOOTING

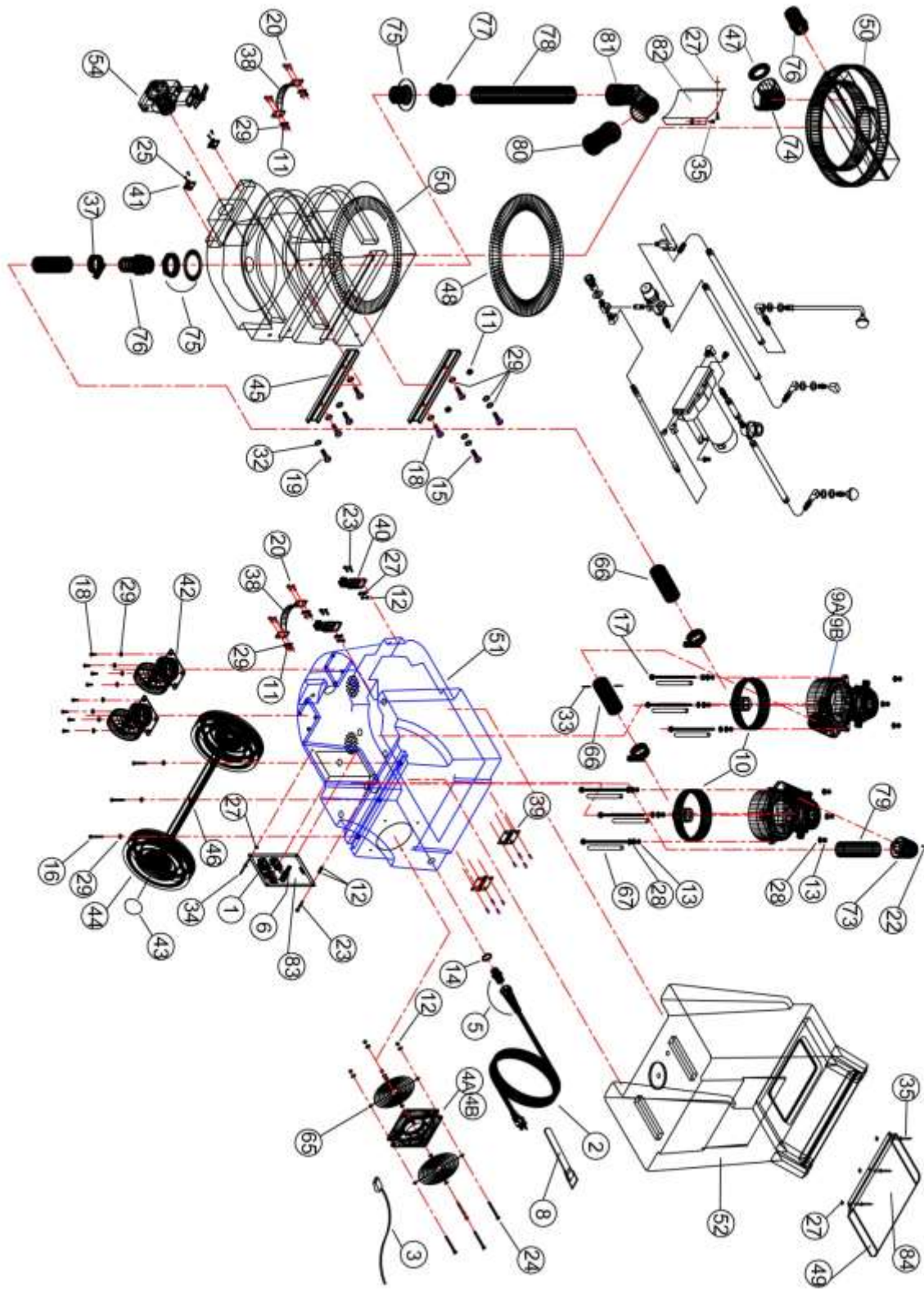
**WARNING:** Prior to inspection or repair of this machine, disconnect all electrical cords rendering the machine powerless. Failure to do so could result in serious or fatal injury.

<b>PROBLEM</b>	<b>CAUSE</b>	<b>SOLUTION</b>
1. Entire unit will not operate	1. Unit not plugged in	1. Connect unit to 3 pin grounded outlets
	2. Loose wiring	2. See dealer
2. 200PSI Plunger Pump will not run	1. Switch not turned on	1. Turn on switch
	2. Broken switch	2. See dealer
	3. Loose wiring	3. See dealer
	4. Pump motor defective	4. See dealer
3. Vacuum will not run	1. Switch not turned on	1. Turn on switch
	2. Broken switch	2. See dealer
	3. Loose wiring	3. See dealer
	4. Blocked rotor	4. See dealer
4. Pump runs but does not pump solution	1. Out of solution	1. Fill solution tank
	2. Pump inlet screen plugged	2. Clean inlet screen
	3. Pump was not properly primed	3. Prime pump using priming quick connect
	4. Kink in solution hose	4. Remove kink
	5. Plugged jet or quick connect	5. Remove blockage
	6. Internal (inside machine) or external solution line damaged and leaking	6. See dealer
5. 200PSI Plunger Pump runs but has loss pressure	1. Pressure regulator valve out of adjustment	1. Adjust pressure regulator located at front of the machine
	2. Partial kink in solution hose	2. Remove kink
	3. Partial blockage in solution hose	3. Remove blockage
	4. Jet orifice opening on cleaning wand is too large	4. Total jet opening should be .03

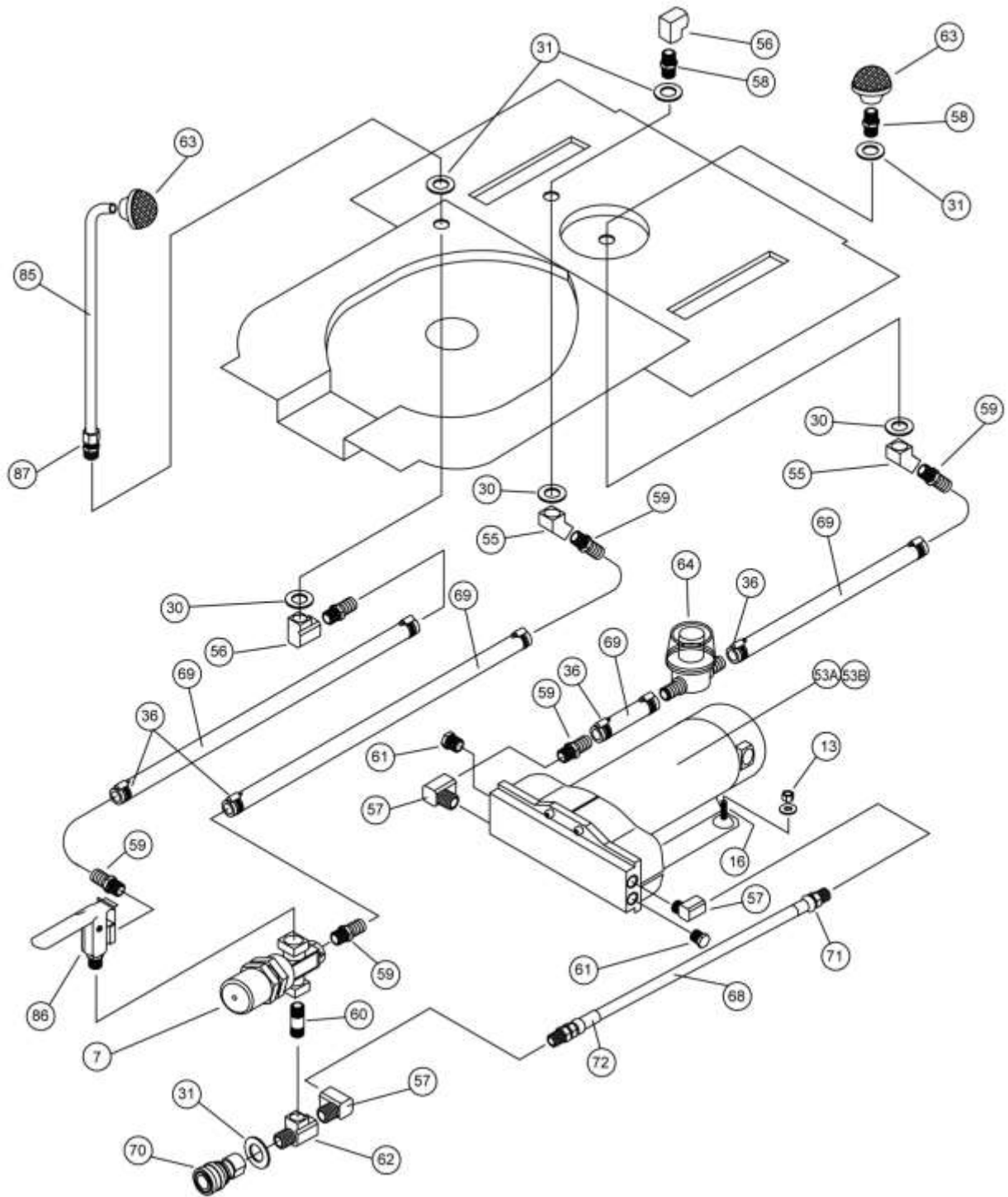


<b>PROBLEM</b>	<b>CAUSE</b>	<b>SOLUTION</b>
6. Vacuum operates but has poor or no suction	1. Recovery tank full	1. Drain recovery tank
	2 Vacuum hose plugged	2. Locate and remove blockage
	3. Wand plugged	3. Locate and remove blockage
	4. Exhaust port blocked	4. Locate and remove blockage
	5. High level float stuck in off position	5. Turn vacuum off and tap top of float screen cage
	6. Front drain valve left open after draining recovery tank	6. Close recovery tank drain valve on front of machine
7. Vacuum prematurely stops extracting	1. Excess foam in recovery tank	1. Add defoamer to recovery tank
	2. Lint or dirt on automatic shut off float screen	2. Clean auto shut off float screen
	3. Defective float ball	3. Replace float screen cage
8. Machine spits water out of exhaust port	1. High level float not working properly	1. Check auto shut off float cage and ball for proper operation
9. Machine blowing excessive amounts of water out of exhaust ports	1. Damaged (leaking) recovery tank fittings	1. Immediately shut unit down. Bring unit to a dealer for service
10. Water accumulating in bottom electrical component area	1. Inside solution line leaking	1. Immediately shut unit down. Bring unit to a dealer for service
	2. Pump leaking	2. Immediately shut unit down. Bring unit to a dealer for service
	3. Solution or recovery tank leaking from above	3. Immediately shut unit down. Bring to a dealer for service
11. Heater won't work	1. Heater cord not plugged in	1. Connect cord to 3 Pin (separate) outlet
	2. Faulty Thermostat or Thermo cut-out	2. See dealer
12. Water not hot enough	1. Check Jet size on wand or upholstery tool	1. Do not exceed .03 orifice size for maximum heat transfer
	2. Cold water used in solution tank	2. Use hot tap water for maximum heat transfer

# NINJA 200 PSI ( P. 1 )



# NINJA 200 PSI ( P. 2 )



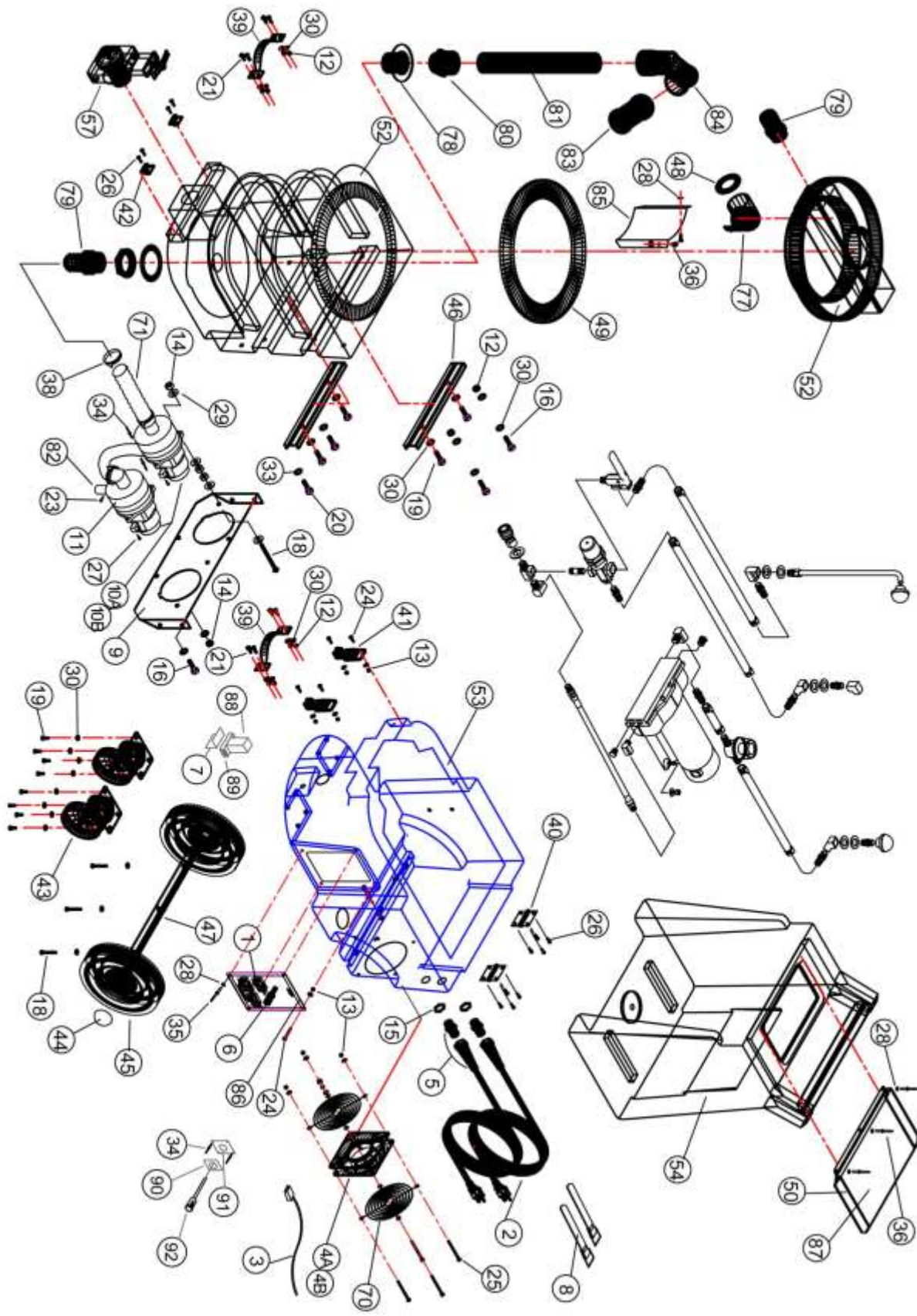
## NINJA 200 PSI (P. 1)

REF	PART NO.	DESCRIPTION	NOTES:
1	305-230	Switch, Rocker 20 Amp	
2	315-015	Cord, 25' Black 14/3 SJTW-A	
3	315-040	Cord, Fan - Muffin	
4A	333-010	Fan, Muffin 6"- 115V	NJA200
4B	333-015	Fan, Muffin 6"- 220V	NJA200-20
5	335-015	Strain Relief, 14 Gauge	
6	340-150	Circuit Breaker 3A	
7	530-005	Regulator 200 PSI	
8	350-005	Strap Velcro	
9A	355-451	Vacuum, 2 Stg - 110v (C/W: 355-405)	NJA200
9B	355-500	Vacuum, 2 Stg - 220v	NJA200-20
10	355-405	Vacuum Cap, Straight	
11	400-115	Locknut, 1/4 x 20 Nylon SS	
12	400-130	Locknut, 10 x 24 Nylon SS	
13	400-135	Locknut, 1/4 x 20 Nylon Zinc	
14	400-165	Locknut, 1/2"	
15	405-010	Bolt, 1/4 x 1 SS	
16	405-020	Bolt, 1/4 x 1-1/4 SS	
17	405-065	Bolt, 1/4 x 6 Stove Zinc	
18	405-615	CS, 1/4 x 1/2 SS (Hex HD)	
19	405-620	CS, 1/4 x 3/4 SS (Hex HD)	
20	410-005	MS, 1/4 x 1 Phil SS Flat/H	
21	410-058	SMS, 4 x 1/4 Pan Phil S.S.	Not shown
22	410-125	SMS, 8 x 5/8 Pan Rob. S.S.	
23	410-160	MS, 10-24 x 3/4 Pan PH SS	
24	410-175	MS, 10-24 x 2 1/2 RH RB Zinc	
25	410-205	MS, 10-32 x 1/2 Panphil SS	
26	410-225	SMS, 10 X 1/2 Pan Rob. Zinc	Not shown
27	415-115	FW, 10 SS	
28	415-120	FW, 1/4 Zinc	
29	415-125	FW, 1/4 SS	
30	415-155	FW, 1/2 SS (Stand/Max OD)	
31	415-156	FW, 1/2 SS	
32	415-305	FNDW, 1/4 SS	
33	420-055	Rivet, AL/AL #46	
34	420-105	Rivet, AL/ST #66	
35	420-151	Rivet, AL/AL Fullysealed #68	
36	425-005	Clamp, #8 Hose 1/2 x 1	
37	425-010	Clamp, #20 Hose 13/16 x 1 3/4	
38	435-015	Handle, Brass/Chrome	
39	440-006	S.S. Hinge 2" x 2"	
40	445-015	Latch, Machine	
41	445-020	Latch, Striker	
42	455-075	Caster, 4" Swivel	
43	455-052	Wheel Cap Dome	

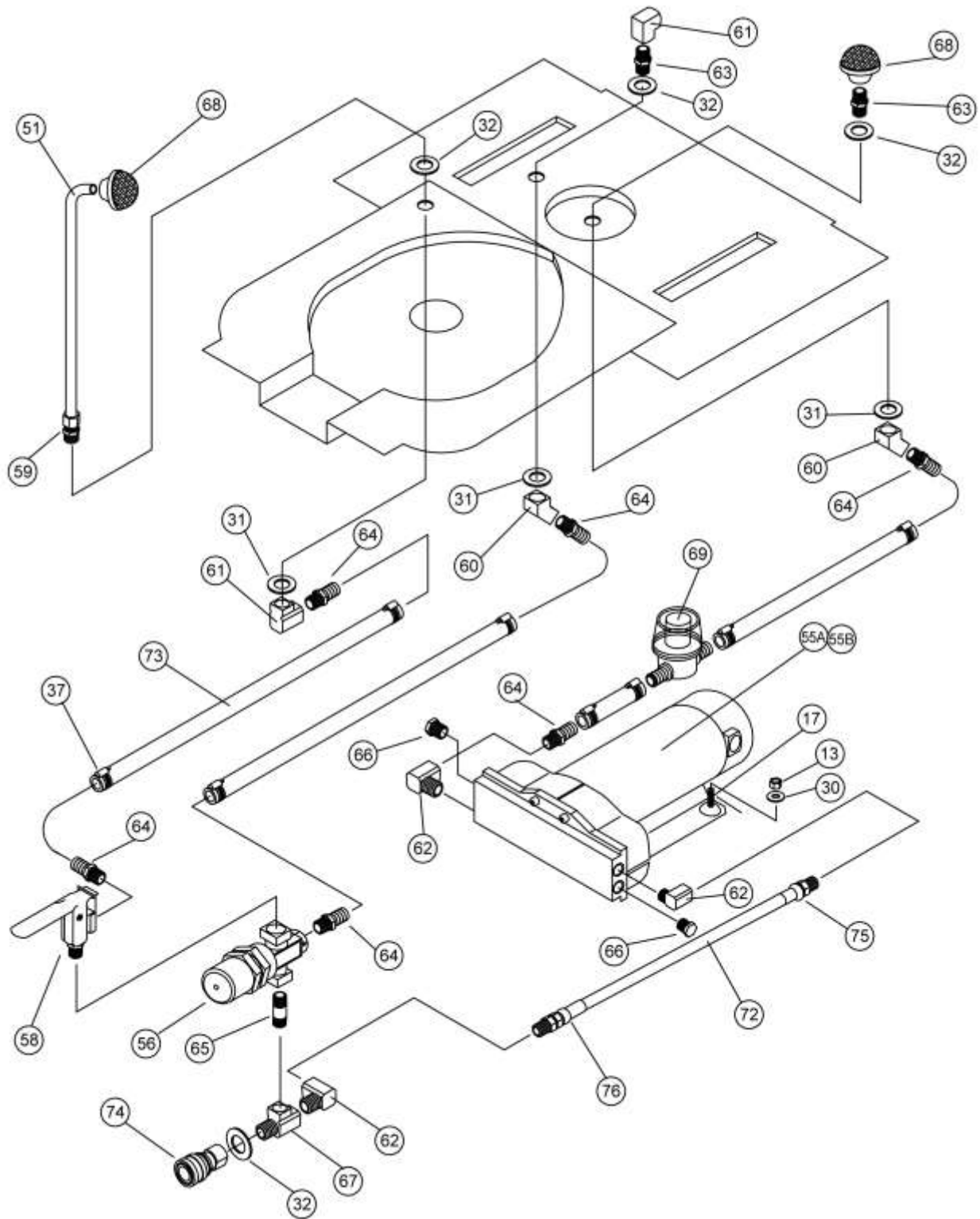
## NINJA 200 PSI (P. 2)

44	455-057	Wheel, 8" Grey/Black Hub	
45	465-065	Brace, Ninja Tank	
46	470-051	Axel, Ninja HD	
47	475-010	Gasket, Rubber - 1 1/2" Dump Valve	
48	475-030	Gasket, Lid 3/8"	
49	475-040	Gasket, 1/8 x 1"	
50	495-023	Recovery Tank & Lid Ninja	
51	495-035	Base, Ninja	
52	495-040	Sol Tank Ninja	
53A	512-505	Pump & Motor 200 PSI, 110v	NJA200
53B	512-525	Pump & Motor 200 PSI, 220v	NJA200-20
54	545-100	Dump Valve, 1 1/2"	
55	555-182	Elbow 45, 1/4 FEM. Extruded	
56	555-206	Elbow 90, 1/4" FPT. Extruded	
57	555-208	Elbow 90, 1/4 Street Extruded	
58	555-272	Hex Nipple, 1/4" (Long)	
59	555-370	Hose Barb, 1/2 Barb x 1/4 MPT	
60	555-422	Long Nipple, 1/4 x 1 1/2"	
61	555-452	Plug, 1/4 MPT Hex Head	
62	555-636	Tee, 1/4" Street Extruded	
63	560-030	Screen, Acorn	
64	560-116	Strainer, Inline Barbed 1/2	
65	560-330	Guard, Finger, 6" Muffin Fan	
66	570-010	Vac Hose 1 1/2" Wire Reinforced	
67	572-041	L.P. White Hose 3/8"	
68	572-125	Pulse Hose, 3/8"	
69	572-155	Polyspring Hose, 1/2"	
70	580-010	Q.C. 1/4" Fem (Closed)	
71	581-060	Crimp Ftng, 3/8" Pulse Hose – 1/4 MPT	
72	581-065	Crimp Ftng, 3/8" Pulse Hose 1/4 MPT SVL	
73	590-010	PVC Elbow 1 1/4" 90, S x S	
74	590-020	PVC ELB 1 1/2" 90, S x FIPT	
75	590-205	PVC Wall Fitting, 1 1/2"	
76	590-405	PVC Hose Barb 1 1/2" x MPT	
77	590-415	PVC Adpt 1 1/2", S x MPT	
78	595-005	ABS Pipe, 1 1/2"	
79	595-110	PVC Pipe, 1 1/4"	
80	597-010	Float Screen Cage	
81	597-061	Adpt (RM) 30 Degree	
82	845-011	Baffle, Vr 2	
83	845-030	Switch Plate	
84	845-041	Solution Tank Cover (Plastic)	
85	480-205	SS Tube 3/8 (1 FT)	
86	551-029	Prime Valve	
87	555-120	Comp. Fitting, 1/2 Comp x 1/4 MPT	

# NINJA 200 PSI 2-3 STAGE VAC (P. 1)



# NINJA 200 PSI 2-3 STAGE VAC ( P. 2 )



## NINJA 200 PSI 2-3 STAGE VAC (P.1)

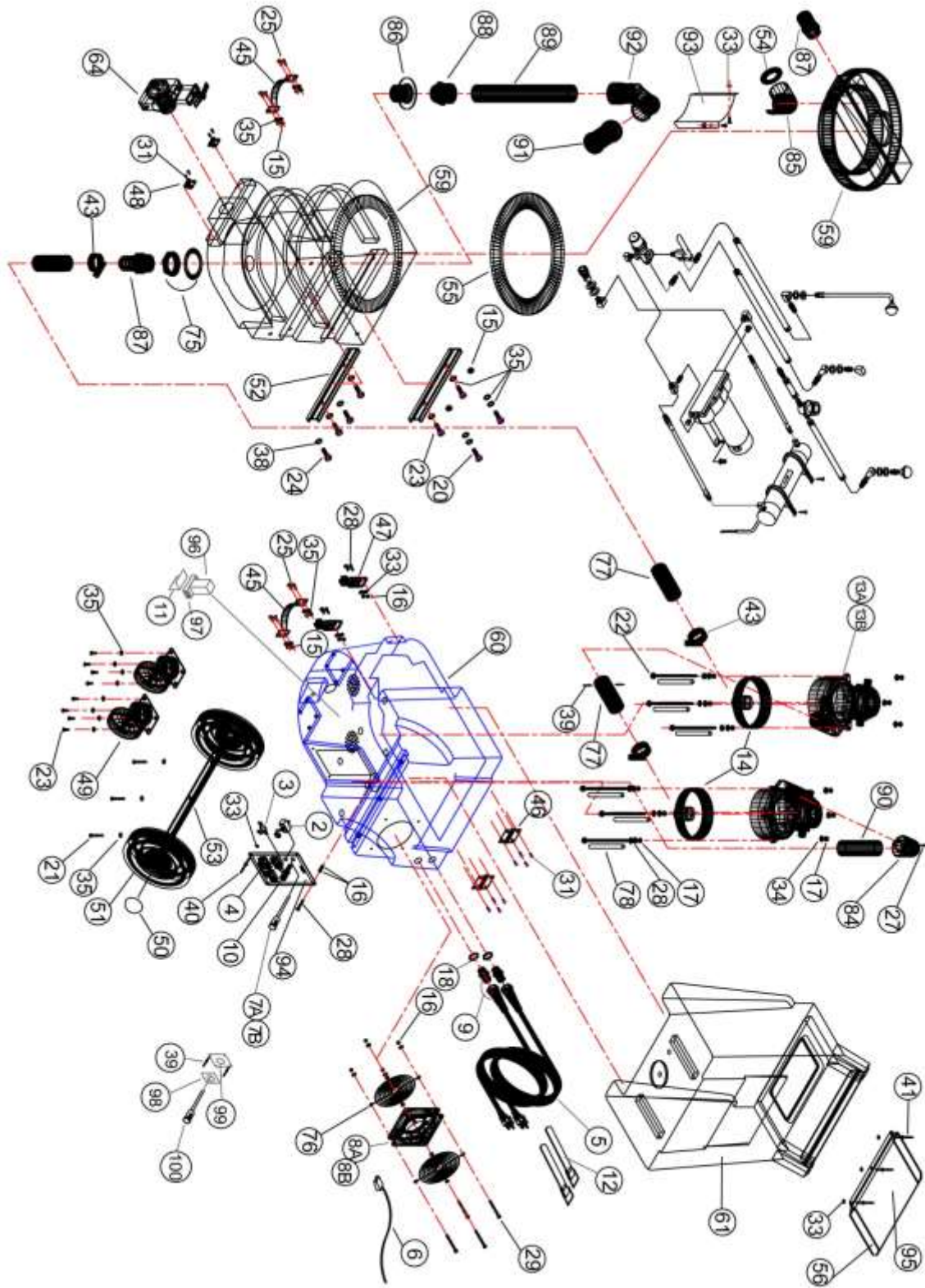
REF	PART NO.	DESCRIPTION	NOTES:
1	305-230	Switch, Rocker 20 Amp	
2	315-015	Cord, 25' Black 14/3 SJTW-A	
3	315-040	Cord, Fan - Muffin	
4A	333-010	Fan, Muffin 6"- 110V	E1020-05
4B	333-015	Fan, Muffin 6"- 220V	E1020-20-05
5	335-015	Strain Relief, 14 Gauge	
6	340-150	Circuit Breaker 3A	
7	465-014	BRKT, Circuit Relay	
8	350-005	Strap Velcro	
9	355-005	BRKT, Vac 2-3 Stage	
10A	355-451	Vacuum, 3 Stg - 110v (C/W: 355-405)	E1020-05
10B	355-510	Vacuum, 3 Stg - 220v	E1020-20-05
11	355-405	Vacuum Cap, Straight	
12	400-115	Locknut, 1/4 x 20 Nylon SS	
13	400-130	Locknut, 10 x 24 Nylon SS	
14	400-135	Locknut, 1/4 x 20 Nylon Zinc	
15	400-165	Locknut, 1/2"	
16	405-010	Bolt, 1/4 x 1 SS	
17	405-020	Bolt, 1/4 x 1-1/4 SS	
18	405-045	Bolt, 1/4 x 3 Stove Zinc	
19	405-615	CS, 1/4 x 1/2 SS (Hex HD)	
20	405-620	CS, 1/4 x 3/4 SS (Hex HD)	
21	410-005	MS, 1/4 x 1 Phil SS Flat/H	
22	410-058	SMS, 4 x 1/4 Pan Phil S.S.	Not shown
23	410-125	SMS, 8 x 5/8 Pan Rob. S.S.	
24	410-160	MS, 10-24 x 3/4 Pan PH SS	
25	410-175	MS, 10-24 x 2 1/2 RH RB Zinc	
26	410-205	MS, 10-32 x 1/2 Pan Phil SS	
27	410-225	SMS, 10 X 1/2 Pan Rob. Zinc	
28	415-115	FW, 10 SS	
29	415-120	FW, 1/4 Zinc	
30	415-125	FW, 1/4 SS	
31	415-155	FW, 1/2 SS (Stand/Max OD)	
32	415-156	FW, 1/2 SS	
33	415-305	FNDW, 1/4 SS	
34	420-055	Rivet, AL/AL #46	
35	420-105	Rivet, AL/ST #66	
36	420-151	Rivet, AL/AL Fully Sealed #68	
37	425-005	Clamp, #8 Hose 1/2 x 1	
38	425-010	Clamp, #20 Hose 13/16 x 1 3/4	
39	435-015	Handle, Brass/Chrome	
40	440-006	S.S. Hinge 2" x 2"	
41	445-015	Latch, Machine	
42	445-020	Latch, Striker	
43	455-075	Caster, 4" Swivel	
44	455-052	Wheel Cap Dome	
45	455-057	Wheel, 8" Grey\Black Hub	



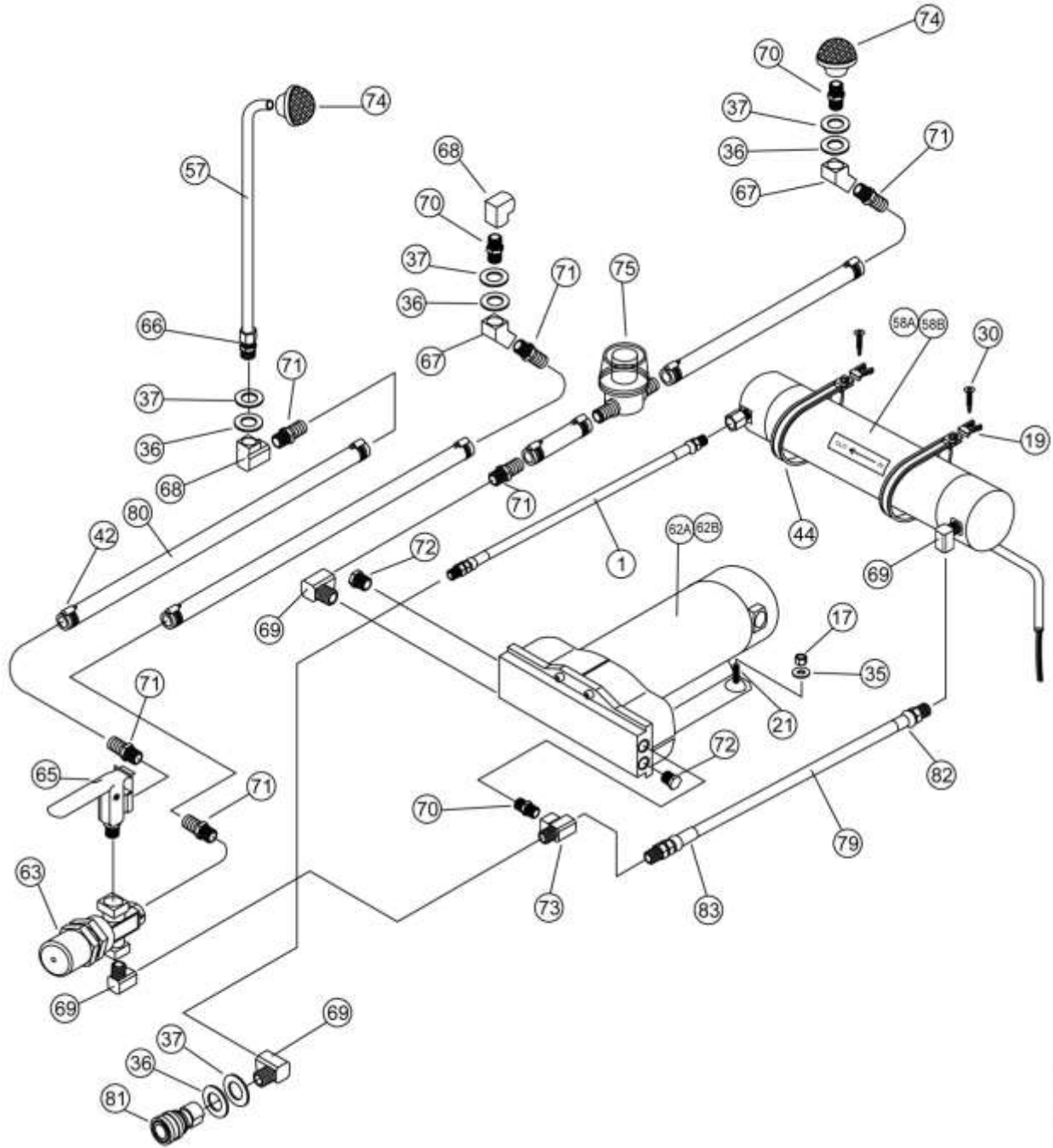
## NINJA 200 PSI 2-3 STAGE VAC (P.2)

46	465-065	Brace, Rec Tank	
47	470-051	Axel	
48	475-010	Gasket, Rubber - 1 1/2" Dump Valve	
49	475-030	Gasket, Lid 3/8"	
50	475-040	Gasket, 1/8 x 1"	
51	480-205	SS Tube 3/8 (1FT)	
52	495-023	Recovery Tank & Lid	
53	495-035	Base	
54	495-040	Sol Tank	
55B	512-505	Pump & Motor 200 PSI, 110v	E1020-05
55B	512-525	Pump & Motor 200 PSI, 220v	E1020-20-05
56	530-005	Regulator, 200 PSI	
57	545-100	Dump Valve, 1 1/2"	
58	551-029	Prime Valve	
59	555-120	Comp Fitting 1/2 x 1/4 MPT	
60	555-182	Elbow 45, 1/4 FEM. Extruded	
61	555-206	Elbow 90, 1/4" FPT. Extruded	
62	555-208	Elbow 90, 1/4 Street Extruded	
63	555-272	Hex Nipple, 1/4" (Long)	
64	555-370	Hose Barb, 1/2 Barb x 1/4 MPT	
65	555-422	Long Nipple, 1/4 x 1 1/2"	
66	555-452	Plug, 1/4 MPT Hex Head	
67	555-636	Tee, 1/4" Street Extruded	
68	560-030	Screen, Acorn	
69	560-116	Strainer, Inline Barbed 1/2	
70	560-330	Guard, Finger, 6" Muffin Fan	
71	570-010	Vac Hose 1 1/2" Wire Reinforced	
72	572-125	Pulse Hose, 3/8"	
73	572-155	Polyspring Hose, 1/2"	
74	580-010	Q.C. 1/4" Fem (Closed)	
75	581-060	Crimp Ftng, 3/8" Pulse Hose – 1/4 MPT	
76	581-065	Crimp Ftng, 3/8" Pulse Hose 1/4 MPT SVL	
77	590-020	PVC ELB 1 1/2" 90, S x FIPT	
78	590-205	PVC Wall Fitting, 1 1/2"	
79	590-405	PVC Hose Barb 1 1/2" x MPT	
80	590-415	PVC Adpt 1 1/2", S x MPT	
81	595-005	ABS Pipe, 1 1/2"	
82	595-110	PVC Pipe, 1 1/4"	
83	597-010	Float Screen Cage	
84	597-061	Adpt (RM) 30 Degree	
85	845-011	Baffle, Vr 2	
86	845-030	Switch Plate	
87	845-041	Solution Tank Cover (Plastic)	
88	305-057	Relay, 240V	
89	305-058	Socket, 240V	
90	703-108	Decal, Circuit Indicator	
91	845-036	Lamp Plate, Circuit	
92	320-111	Lamp, Panel (Green)	

# NINJA 200 PSI H.M P.1



# NINJA 200 PSI H.M P.2



## NINJA 200 PSI H.M ( P. 1 )

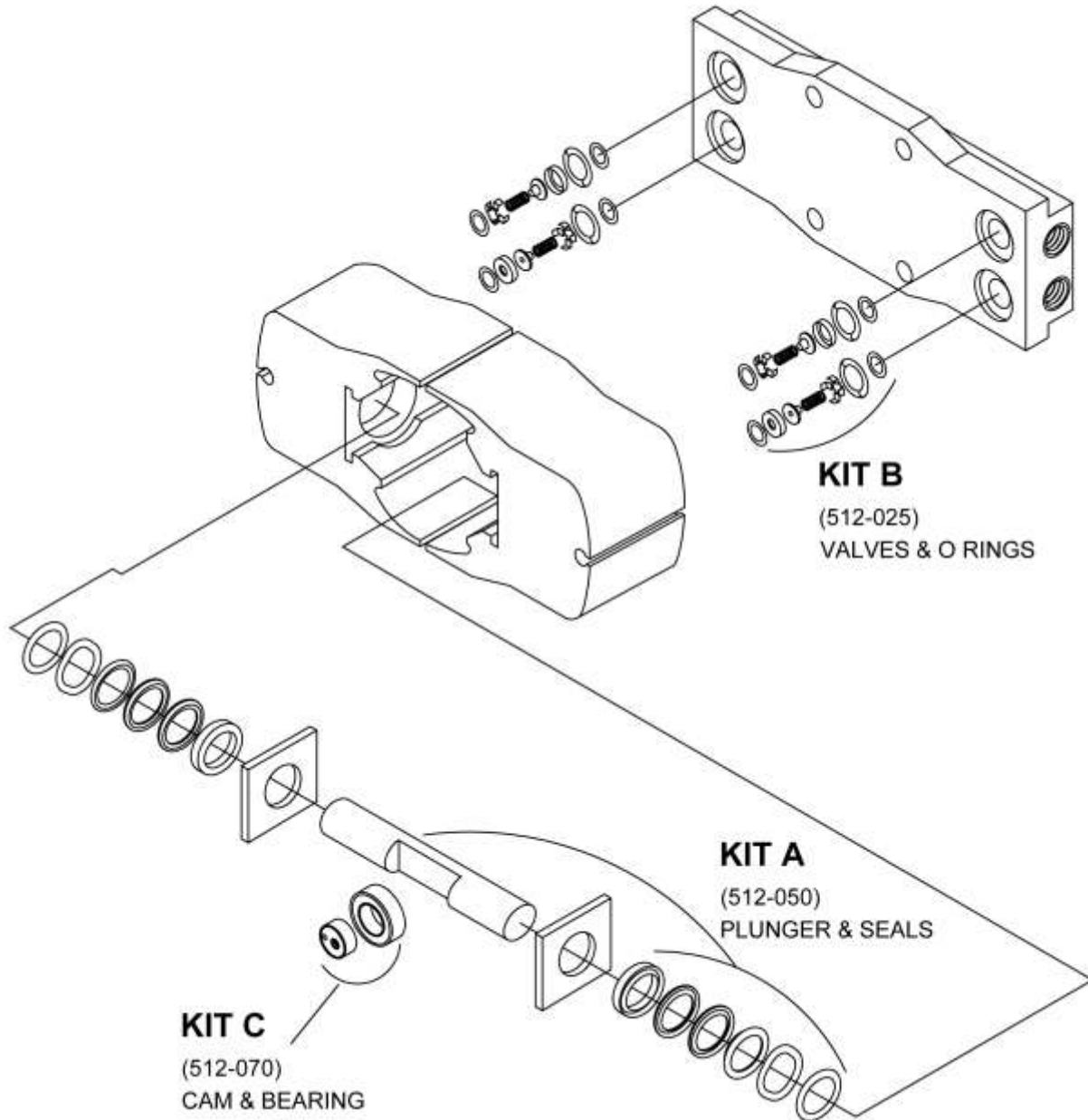
REF	PART NO.	DESCRIPTION	NOTES:
1	263-013	HP Hose 28"	
2	305-210	Switch, Toggle 110v / 220v	
3	305-225	Switch Plate, ON/OFF	
4	305-230	Switch, Rocker 20 Amp	
5	315-015	Cord, 25' Black 14/3 SJTW-A	
6	315-040	Cord, Fan - Muffin	
7A	320-110	Lamp, Panel 110v	E1020-10
7B	320-900	Lamp, Panel 220v	E1020-20-10
8A	333-010	Fan, Muffin 6"- 110V	E1020-10
8B	333-015	Fan, Muffin 6"- 220V	E1020-20-10
9	335-015	Strain Relief, 14 Gauge	
10	340-150	Circuit Breaker 3A	
11	465-014	BRKT, Circuit Relay	
12	350-005	Strap Velcro	
13A	355-451	Vacuum, 2 Stg - 110v (C/W: 355-405)	E1020-10
13B	355-500	Vacuum, 2 Stg - 220v	E1020-20-10
14	355-405	Vacuum Cap, Straight	
15	400-115	Locknut, 1/4 x 20 Nylon SS	
16	400-130	Locknut, 10 x 24 Nylon SS	
17	400-135	Locknut, 1/4 x 20 Nylon Zinc	
18	400-165	Locknut, 1/2"	
19	400-240	Tinnerman Nut	
20	405-010	Bolt, 1/4 x 1 SS	
21	405-020	Bolt, 1/4 x 1-1/4 SS	
22	405-065	Bolt, 1/4 x 6 Stove Zinc	
23	405-615	CS, 1/4 x 1/2 SS (Hex HD)	
24	405-620	CS, 1/4 x 3/4 SS (Hex HD)	
25	410-005	MS, 1/4 x 1 Phil SS Flat/H	
26	410-058	SMS, 4 x 1/4 Pan Phil S.S.	Not shown
27	410-125	SMS, 8 x 5/8 Pan Rob. S.S.	
28	410-160	MS, 10-24 x 3/4 Pan PH SS	
29	410-175	MS, 10-24 x 2 1/2 RH RB Zinc	
30	410-190	SMS, 10 x 1 FLT Soc Zinc	
31	410-205	MS, 10-32 x 1/2 Pan Phil SS	
32	410-225	SMS, 10 x 1/2 Pan Rob. Zinc	Not shown
33	415-115	FW, 10 SS	
34	415-120	FW, 1/4 Zinc	
35	415-125	FW, 1/4 SS	
36	415-155	FW, 1/2 SS (Stand/Max OD)	
37	415-156	FW, 1/2 SS	
38	415-305	FNDW, 1/4 SS	
39	420-055	Rivet, AL/AL #46	
40	420-105	Rivet, AL/ST #66	
41	420-151	Rivet, AL/AL Fullysealed #68	
42	425-005	Clamp, #8 Hose 1/2 x 1	
43	425-010	Clamp, #20 Hose 13/16 x 1 3/4	
44	425-130	Clamp, Tube 3"	

## NINJA 200 PSI H.M ( P. 2 )

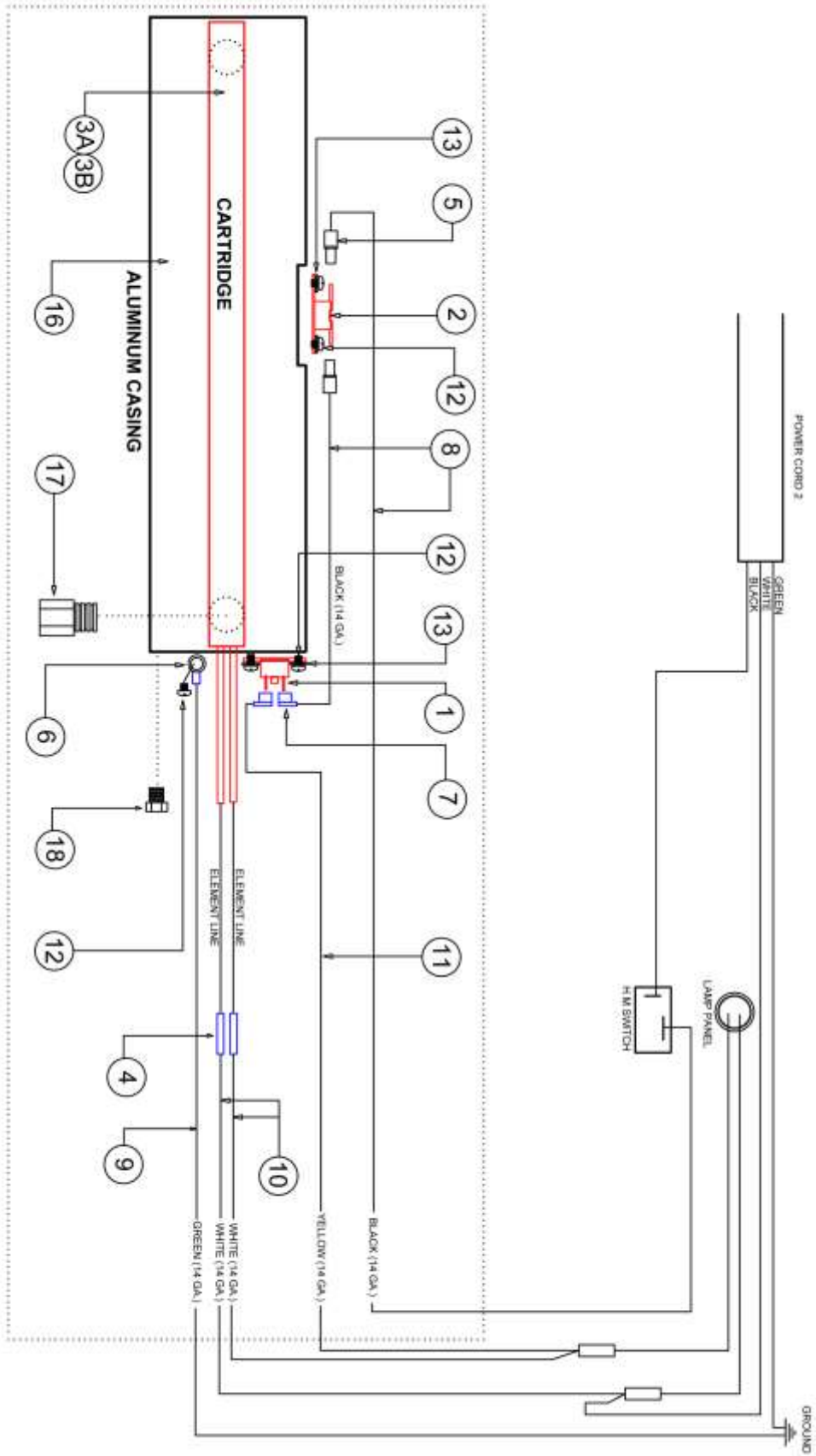
45	435-015	Handle, Brass/Chrome	
46	440-006	S.S. Hinge 2" x 2"	
47	445-015	Latch, Machine	
48	445-020	Latch, Striker	
49	455-075	Caster, 4" Swivel	
50	455-052	Wheel Cap Dome	
51	455-057	Wheel, 8" Grey\Black Hub	
52	465-065	Brace, Rec Tank	
53	470-051	Axel	
54	475-010	Gasket, Rubber - 1 1/2" Dump Valve	
55	475-030	Gasket, Lid 3/8"	
56	475-040	Gasket, 1/8 x 1"	
57	480-205	SS Tube 3/8 (1 FT)	
58A	490-005	Foamed Casing, Round 1850W - HM	E1020-10
58B	490-006	Foamed Casing, Round 1850W - HM	E1020-20-10
59	495-023	Recovery Tank & Lid	
60	495-035	Base	
61	495-040	Sol Tank	
62A	512-505	Pump & Motor 200 PSI, 110v	E1020-10
62B	512-525	Pump & Motor 200 PSI, 220v	E1020-20-10
63	530-005	Regulator, 200 PSI	
64	545-100	Dump Valve, 1 1/2"	
65	551-029	Prime Valve	
66	555-120	Comp, Fitting 1/2 x 1/4 MPT	
67	555-182	Elbow 45, 1/4 FEM. Extruded	
68	555-206	Elbow 90, 1/4" FPT. Extruded	
69	555-208	Elbow 90, 1/4 Street Extruded	
70	555-272	Hex Nipple, 1/4" (Long)	
71	555-370	Hose Barb, 1/2 Barb x 1/4 MPT	
72	555-452	Plug, 1/4 MPT Hex Head	
73	555-636	Tee, 1/4" Street Extruded	
74	560-030	Screen, Acorn	
75	560-116	Strainer, Inline Barbed 1/2	
76	560-330	Guard, Finger, 6" Muffin Fan	
77	570-010	Vac Hose 1 1/2" Wire Reinforced	
78	572-041	L.P. White Hose 3/8"	
79	572-125	Pulse Hose, 3/8"	
80	572-155	Polyspring Hose, 1/2"	
81	580-010	Q.C. 1/4" Fem (Closed)	
82	581-060	Crimp Ftng, 3/8" Pulse Hose – 1/4 MPT	
83	581-065	Crimp Ftng, 3/8" Pulse Hose 1/4 MPT SVL	
84	590-010	PVC Elbow 1 1/4" 90, S x S	
85	590-020	PVC ELB 1 1/2" 90, S x FIPT	
86	590-205	PVC Wall Fitting, 1 1/2"	
87	590-405	PVC Hose Barb 1 1/2" x MPT	
88	590-415	PVC Adpt 1 1/2", S x MPT	
89	595-005	ABS Pipe, 1 1/2"	
90	595-110	PVC Pipe, 1 1/4"	
91	597-010	Float Screen Cage	

92	597-061	Adpt (RM) 30 Degree	
93	845-011	Baffle, Vr 2	
94	845-030	Switch Plate	
95	845-041	Solution Tank Cover (Plastic)	
96	305-057	Relay, 240V	
97	305-058	Socket, 240V	
98	703-108	Decal, Circuit Indicator	
99	845-036	Lamp Plate, Circuit	
100	320-111	Lamp, Panel (Green)	

## **PUMP 200 REPAIR KITS**



# INTERNAL HEATER MATE

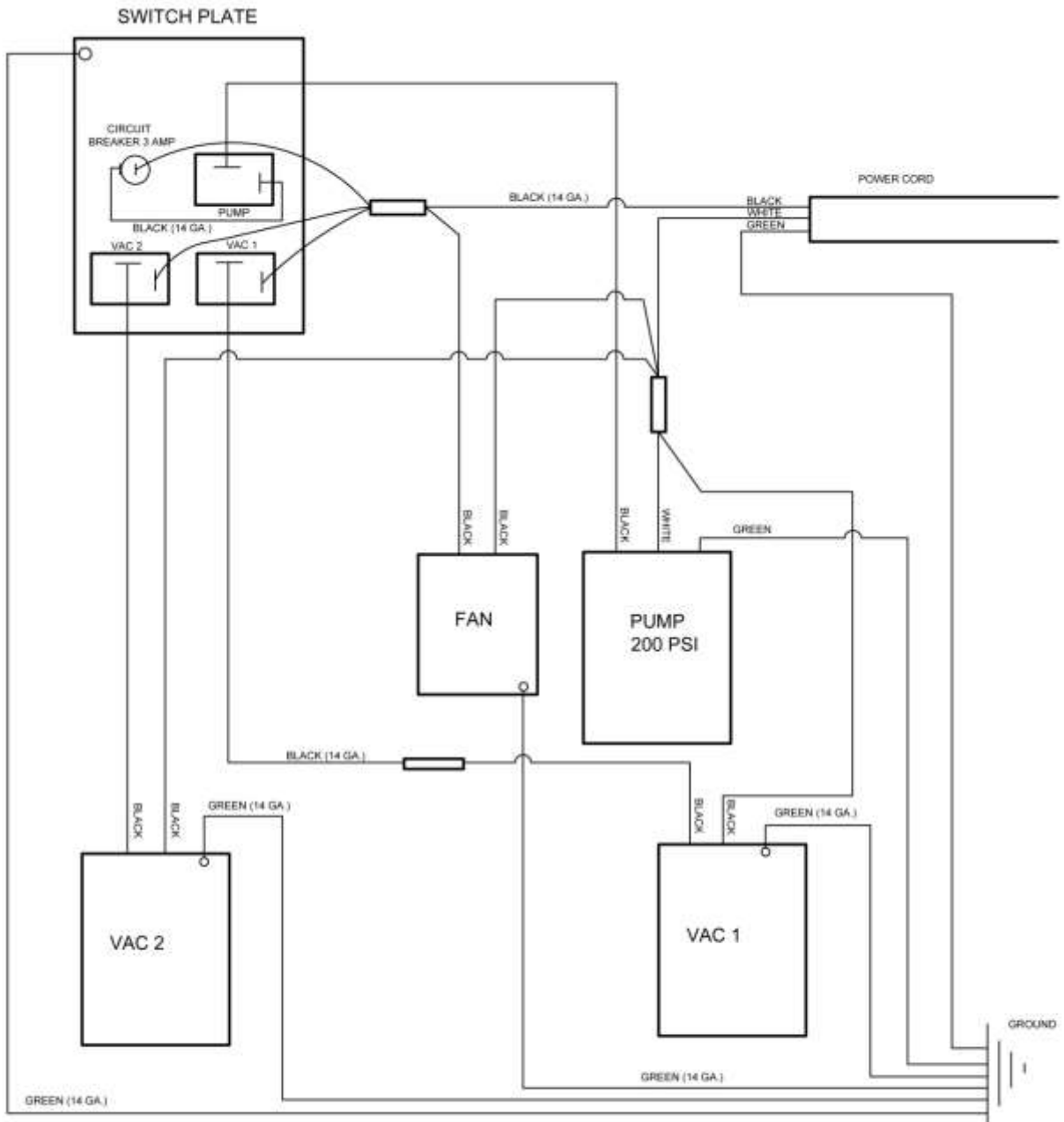


## INTERNAL HEATER MATE (490-005/490-006)

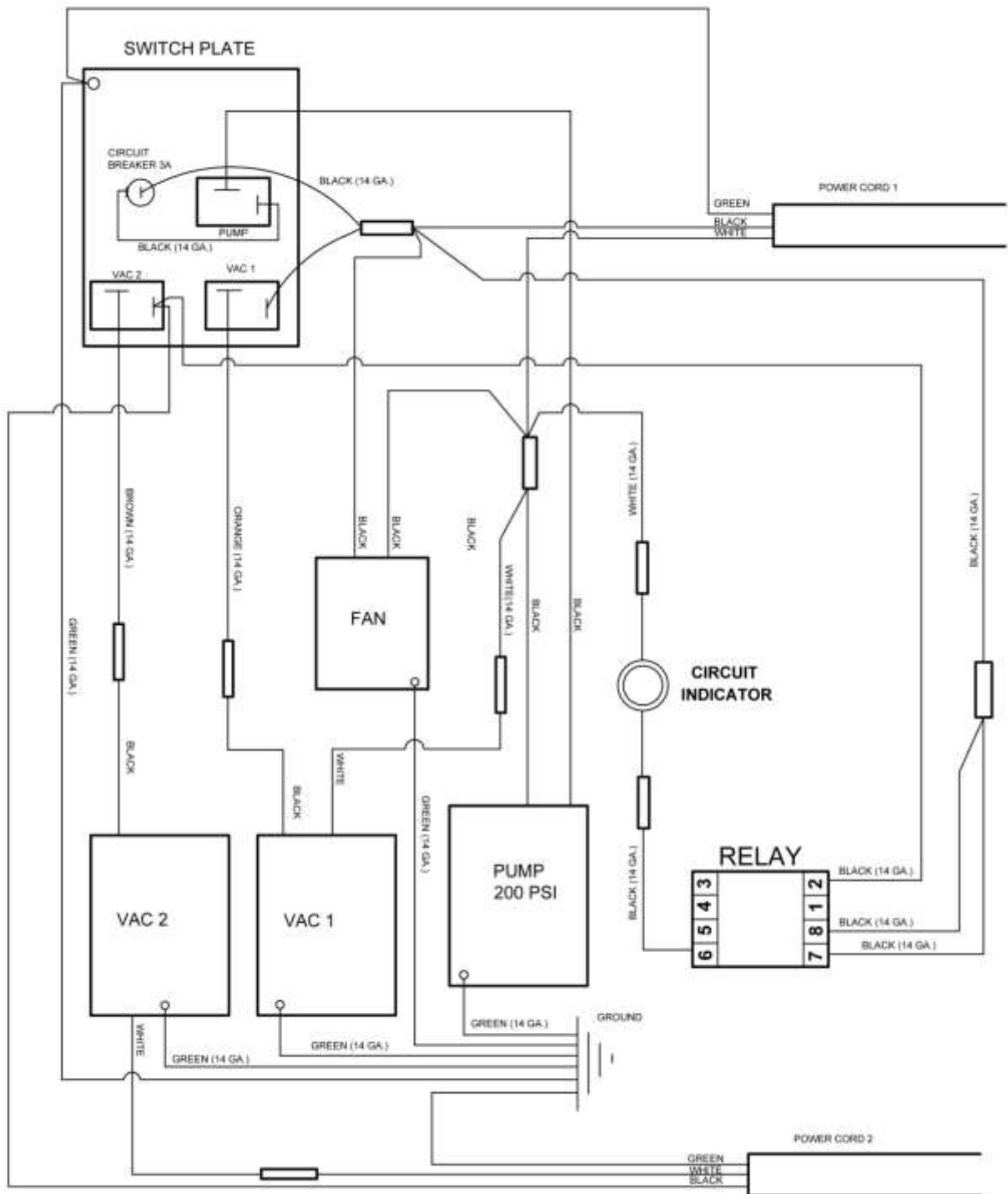
REF	PART NO.	DESCRIPTION	NOTES:
1	305-245	Thermo Cut-Out	
2	305-265	Thermostat 200F	
3A	318-005	Heater Element 1850W 110V	Use For 490-005
3B	318-900	Heater Element 1850W 220V	Use For 490-006
4	325-005	Connector, Butt - Blue	
5	325-120	Spade, 3/16 F - Blue	
6	325-230	Terminal Ring, #10 - Blue	
7	325-500	Spade, 1/4 FEM. 90 Crimp	
8	330-225	Wire, 14 GA - Black	
9	330-230	Wire, 14 GA - Green	
10	330-235	Wire, 14 GA - White	
11	330-240	Wire, 14 GA - Yellow	
12	410-070	MS, 6 x 3/16 Pan PHL	
13	415-005	LW, 6 Zinc	
14	475-045	Gasket, 3" RND	Not Shown
15	475-070	Gasket 1/8"	Not shown
16	490-016	Alum (Round) Casing	
17	555-002	ADPT, 1/4 M x 1/4 F	
18	555-451	Plug, 1/8 Hex	



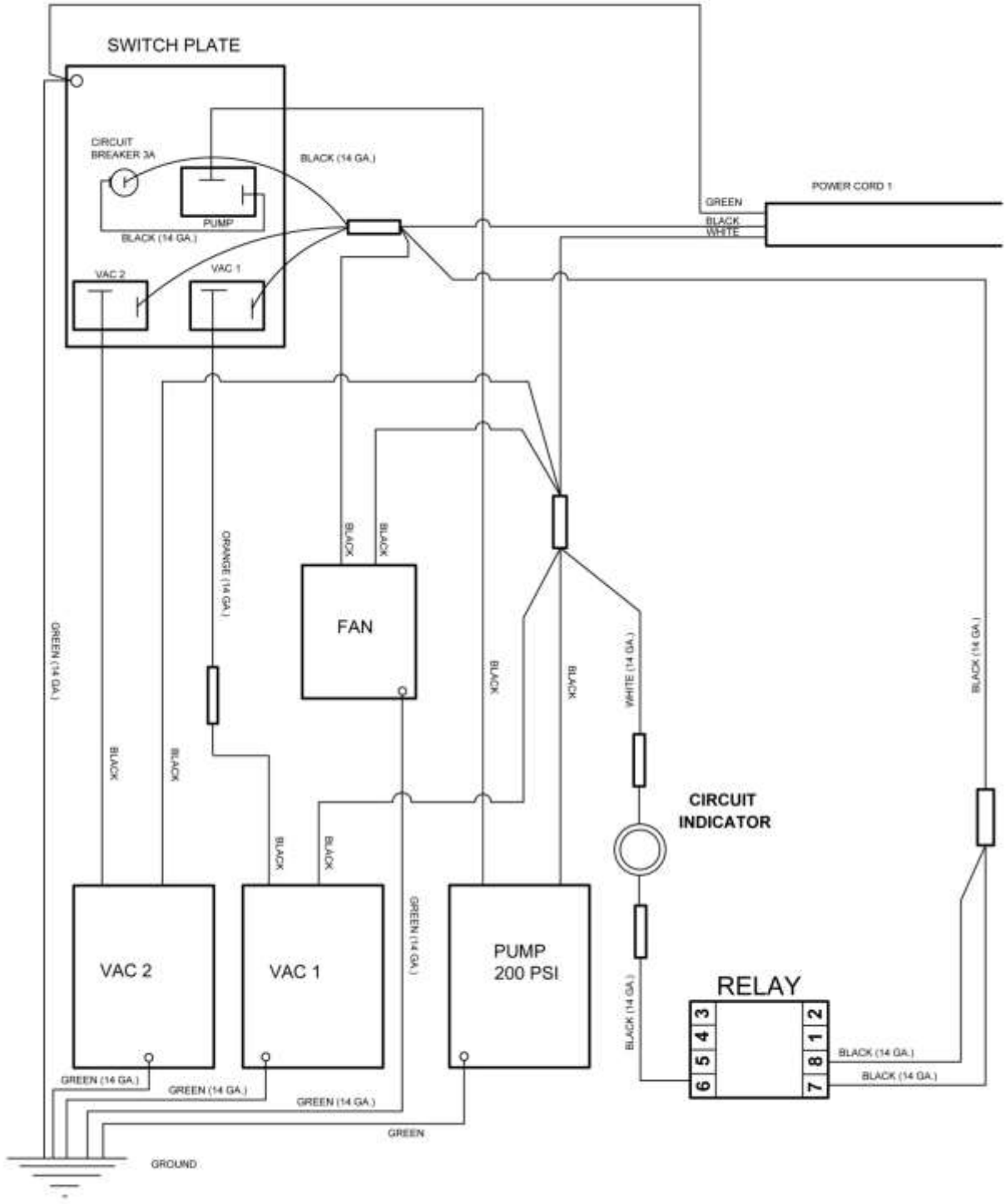
# NINJA 200 PSI WIRING



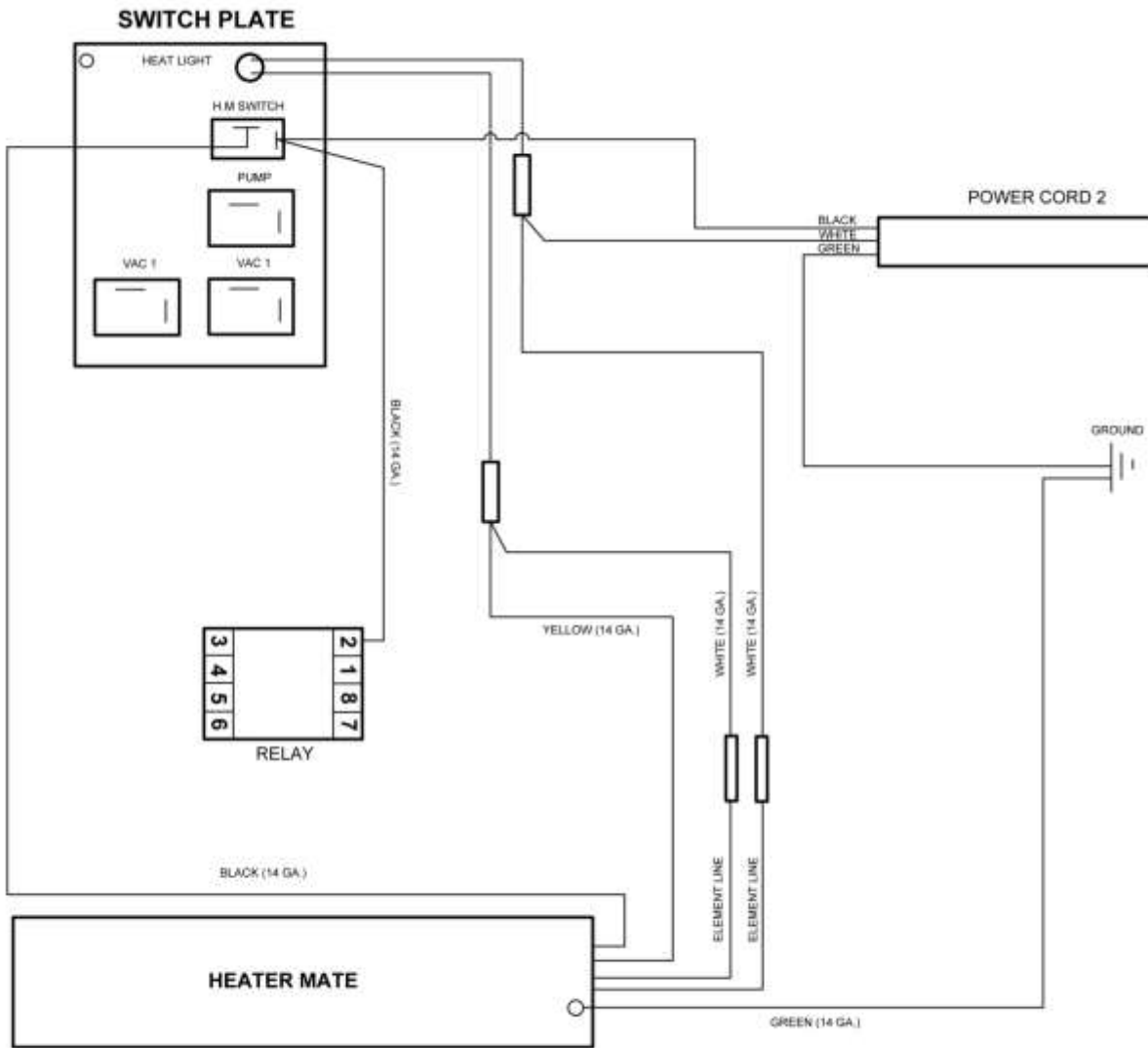
# NINJA 200 PSI 2-3 STAGE VAC WIRING



# NINJA 200 PSI HEATER MATE WIRING P. 1



# NINJA 200 PSI HEATER MATE WIRING P. 2





## WARRANTY REGISTRATION / DELIVERY ACCEPTANCE

This form must be completed and returned to Esteam Cleaning Systems to activate your warranty.

Esteam would like to take this opportunity to point out a few operating and safety recommendations for your consideration.

\* All units cords have a ground plug pin for your safety, never remove or operate any equipment if the ground pin on the plug has been removed.

\* Defoamer is to be used in all machines. Improper use of chemicals will void warranty. Drycleaning solvents cannot be used in any Esteam extractors.

\* Do not over fill recovery tanks as this will damage the vacuum motors. Vacuum motors showing any signs of moisture contamination will not be covered under warranty.

Model # \_\_\_\_\_ Serial # \_\_\_\_\_

Name: \_\_\_\_\_

Address: \_\_\_\_\_

City: \_\_\_\_\_ Province/State: \_\_\_\_\_

Postal Code/Zip: \_\_\_\_\_ Date of Purchase: \_\_\_\_\_  
Month / Day / Year

Purchased From: \_\_\_\_\_

By signing this form I \_\_\_\_\_, accept the terms and conditions of the warranty.  
(print)

I have been fully instructed in the safe operation and use of this equipment.

Signed: \_\_\_\_\_ Date: \_\_\_\_\_

Mail Warranty Registration / Delivery Acceptance to:

Esteam Manufacturing Ltd.  
3750-19th Street NE  
Calgary, Alberta, Canada  
T2E 6V2

Or Fax to:  
(403) 291 - 0546

# ESTEAM® CLEANING SYSTEMS

## NINJA EXTRACTOR WARRANTY

**NOTICE: REVIEW THIS WARRANTY CAREFULLY AS THIS DOCUMENT CONTAINS LIMITATIONS AND EXCLUSIONS.**

### **PART I:**

Esteam Manufacturing Ltd. (hereinafter referred to as "Esteam") warrants each new Ninja Extractor, subject to the limitations as defined in the specific details of its warranty coverage defined below.

### **LIMITED LIFETIME HOUSING WARRANTY COVERAGE:**

Esteam warrants the Ninja Polyethylene Machine Housing Unit to be free from defects in material and workmanship (including cracking, leaking or deterioration) for the life of the unit, expressly subject to the limitations stated herein.

In the event a defect occurs in a Ninja Housing Unit within five years of receipt by the original customer, Esteam will, if satisfied on its examination that the failure is due to defective material or workmanship, repair or replace the Ninja Housing Unit, at no cost to the original customer, other than as maybe provided for in this warranty.

In the event a defect occurs in a Ninja Housing Unit subsequent to five years (and thereafter for life) of receipt by the original customer; Esteam will, if satisfied on its examination, that the failure is due to defective material or workmanship, provide to the original customer only, a new Housing Unit, at 50% of the then published retail pricing basis, used by Esteam.

### **90 DAY LIMITED WARRANTY COVERAGE:**

Esteam warrants all switches, vacuum hoses and solution hoses to be free from defects in material and workmanship, for any defect occurring within 90 days of receipt by the original customer of the Ninja Extractor; and further subject to the limitations stated below. 90 day on labor, subject to Esteam's approval; hourly labor credit is set by Esteam.

### **12 MONTH WARRANTY COVERAGE:**

Subject to the Limited Lifetime Warranty and the 90 Day Limited Warranty; Esteam warrants all remaining items on the Ninja Extractor to be free from defect in material or workmanship (excluding any labour charges) for a period of 12 months from date of receipt of the unit by the original customer; and further subject to the limitations stated below.

### **PART II - REPLACEMENT PARTS (UNDER WARRANTY)**

Replacement warranty parts will be genuine Esteam parts, or parts of similar kind and quality.

All replacement warranty parts are warranted to be free from defects in materials or workmanship from the date of the original unit purchase for the balance of the original warranty period namely: 90 days, 12 months, or the Lifetime, whichever is applicable; all in accordance with the terms of Part I, of this warranty.

### **PART III - LIMITATIONS ON WARRANTY COVERAGE**

#### **WHAT IS NOT COVERED:**

Notwithstanding any other term or covenant of Esteam contained herein, the following provisions shall apply:

- (i) No warranty is provided for any Esteam product which has failed as a result of freezing, fire, misuse, alteration, improper amps or voltage, accidental damage, improper maintenance, unauthorized repairs, alterations, abuse, neglect or operation of a Esteam product not expressly recommended or contemplated by Esteam; and
- (ii) No warranty is provided for mechanical or electrical breakdown caused by scale, hard water buildup, improper use of chemicals or resins, damage due to environmental conditions, and acts of God, or other events beyond the control of Esteam; and
- (iii) No warranty is provided for mechanical or electrical breakdown or failure of an Esteam product resulting from ordinary wear and tear, or the consequences thereof; including but not limited to the gradual reduction of the operating performance of the product. The determination of what is or is not ordinary wear and tear is at the sole discretion of Esteam; and
- (iv) No warranty is provided for damage caused by the failure of non-warranted parts and/or accessories, even if warranted parts are damaged as a result of the failure of a non-warranted part; and
- (v) No warranty is provided for damage resulting from failure by the customer to maintain scheduled maintenance requirements. The Esteam system has many parts which must either be replaced or checked for wear on a regular basis; including but not limited to replacement filters and lubricants. This system requires regular maintenance, service and attention by the customer; and
- (vi) No warranty is provided as to any extra expenses incurred by the customer, including but not limited to economic, incidental, consequential loss or damage (e.g. all labour charges, rental equipment, down time, lodging, commercial or business loss of any nature or kind due to product failure); whether direct or indirect, exemplary or punitive damage or loss, and whether in contract, tort or otherwise; and
- (vii) No warranty is provided as to failure of any cosmetic item or finish, labeling, silk screening, decals, paint, trim or other similar decorative items.

- (viii) Brass, rubber and synthetic rubber parts (e.g. "O" rings, diaphragms, gaskets, seals, grommets) are considered expendable in normal use, and are therefore not included in any warranty by Esteam.

#### **PART IV - EXCLUSION OF LIABILITY**

Esteam makes no warranties or representations, either expressed or implied, oral or written, in fact, or by operation of law, or otherwise, except as expressly stated herein as to the 90 day Limited, 12 month and Lifetime Extended warranties. Esteam, its officers, directors, agents, dealers and its affiliates (and their respective officers, directors, agents and dealers) shall not be liable to the customer nor to any party for any liability, including without limitation, strict liability, liability for loss, injury or damage due directly or indirectly to the use or operation of the Esteam product; consequential, exemplary and/or punitive damage or loss, whether in contract, tort, or otherwise.

#### **PART V - RETURN GUIDELINES**

Defective items must be replaced through a local Esteam Distributor. Replacement parts will be sent via prepaid regular ground service to the distributor. The defective part must be returned F.O.B. factory within 30 days including a letter providing the machine's serial number, date of purchase, material return authorization number, and customer name. If applicable, credit will be issued after the item has been evaluated by Esteam. Failure to comply with return policy will void the warranty on that item.

#### **PART VI - CREDIT POLICY**

All customers purchasing parts through an Esteam distributor must arrange credit directly with that distributor.

#### **PART VII - OUTSIDE SOURCE WARRANTY REPAIRS**

At the sole discretion of Esteam, it may be necessary to perform warranty/repairs at an outside source. An estimate must be submitted to and approved by Esteam prior to work being performed. Failure to do so will result in denial of your warranty claim.

#### **PART VIII - TRANSFERABILITY**

This warranty is not transferable to any subsequent owner.

#### **PART IX - NOTICE - CUSTOMER OBLIGATIONS**

- (i) Your responsibility as a customer includes but is not limited to cleaning, lubricating, seasonal maintenance (e.g. winterizing), replacement of worn parts and all regular scheduled or unscheduled maintenance.
- (ii) Any claim for warranty must be presented to Esteam or its authorized dealer, prior to the expiration of the time limitations specified and not thereafter, otherwise any warranty is void.



(iii) Notwithstanding the generality of the foregoing customer obligations, Esteam does hereby bring to the attention of the customer, these specific maintenance operating requirements of the Ninja Extractor to validate its warranty:

(a) Chemical Warning:

Any improper use of chemicals shall void any Esteam warranty and thusly exclude any liability by Esteam. No dry cleaning chemical may be used in a Ninja Extractor; - as any such use may result in fire or pump/motor damage. A defoamer solution must be used by customer to limit foaming in the recovery tank.

(b) Vacuum Motors:

Require use of a defoamer. A vacuum motor showing moisture contamination on interior components shall void any warranty by Esteam.

(c) Pumps:

All pumps require daily flushing with clean water after use.

The foregoing constitutes Esteam's entire warranty and no other warranty, liability, contingency or responsibility, direct, indirect, consequential or in any other way connected with the sale or operation of Esteam machines or chemical product is expressed or implied.

**Ninja Extractor Warranty  
Esteam Manufacturing Ltd. 3750-19th Street NE  
Calgary, AB T2E 6V2 1-800-653-8338**