

PROUDLY BUILT IN THE USA

TOMCAT
COMMERCIAL CLEANING EQUIPMENT

EDGE SERIES
Floor Machines

- Ideal for Chemical Free stripping of most floor finishes.
- Square corners clean into corners missed by traditional "round" pads.
- Environmentally friendly "Dry Strip" approach is safer for the earth and operator by eliminating harsh chemicals and slippery conditions.



← 20" or 28" →

BEFORE

AFTER



COMPACT SCRUBBERS



BURNISHERS



CHEMICAL FREE



RIDER SCRUBBERS



FLOOR MACHINES



TOMCAT'S EDGE Series of surface preparation machines gives operators the ability to remove multiple layers of finish, without using chemicals. As we all push for new ways to increase our protection of the environment, this new approach can help achieve increased productivity and safety. Available in 20", 28" or 32".

The **EDGE** Series can work with a variety of quality pads, eliminating up to 95% of the chemical stripping required. New operators can be trained in a matter of minutes, unlike the "expertise" that is often learned the hard way with traditional rotary machines and chemical strippers. Get better and more consistent results, and eliminate those large swirl marks.

The "ST" model's lower rpm motor allows for dry use and therefore eliminates most water use. The "ST" model also is designed to be extremely quiet for use in sensitive applications like hospitals. At only 62 dBA, it is an industry leader in reducing noise pollution.

The "HD" model's higher rpm allows for increased weight and productivity. Originally designed to make quick work of gym floor screening, it also works well on vct. The higher rpm consistently achieves a smooth preparation scratch, and extends sanding screen life over rotary machines.

For larger jobs we offer the 28" AC powered unit, in addition to our 28" and 32" Battery Powered Cordless units.

These units help customers save on the time and materials needed. Follow the finish manufacturer's instructions and consult with your local dealer for further details. Please call 800-450-9824 to schedule your onsite demonstration and see why people are choosing **TOMCAT EDGE** Surface Prep Technology.



**CLEANS
ALONG YOUR
WALL'S
EDGES
WITHOUT
SPLASHING**

**CLEANS INTO
CORNERS
WHERE OLD
ROUND
ROTARY
UNITS CAN'T**



**CLEANS
UNDERNEATH
OVERHANGS**

CORDLESS 32" UNIT



SCREEN WOOD GYM FLOORS



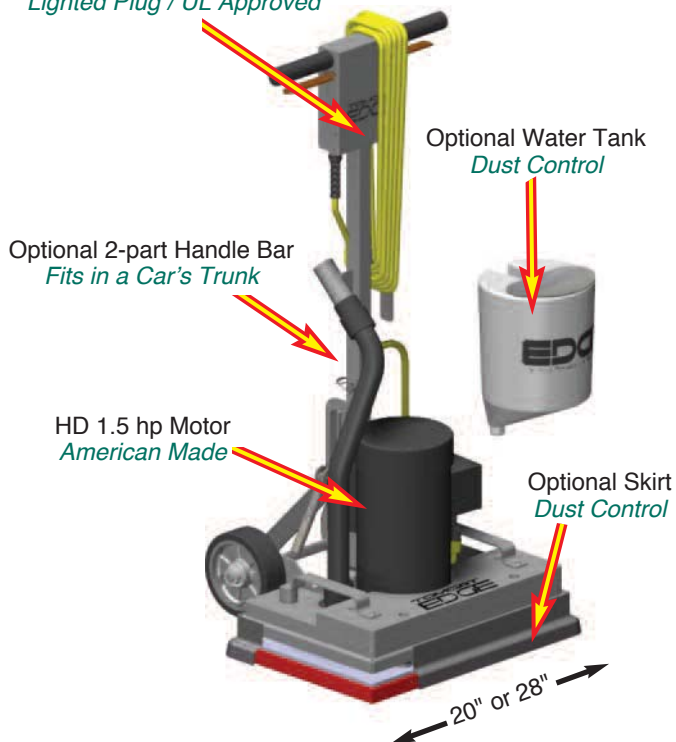
DUST CONTROL KITS



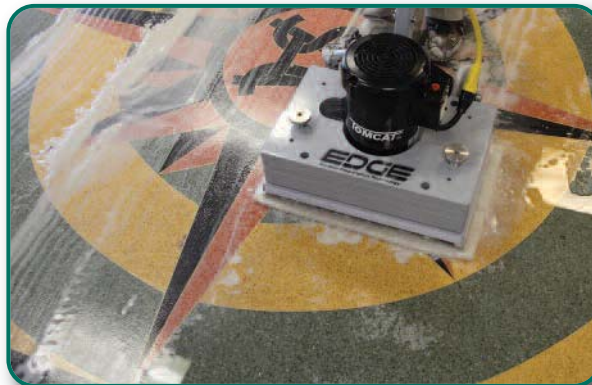
EDGE

Surface Preparation Technology

50' Quality Cord
Lighted Plug / UL Approved



STONE POLISHING



MASTIC / EPOXY REMOVAL

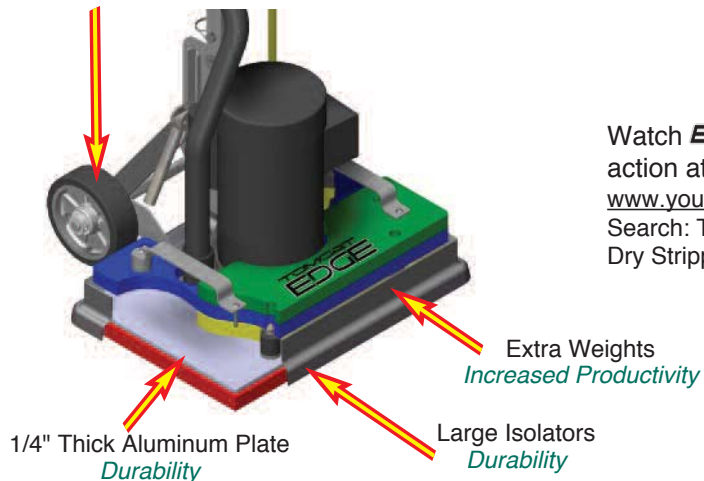


EDGE

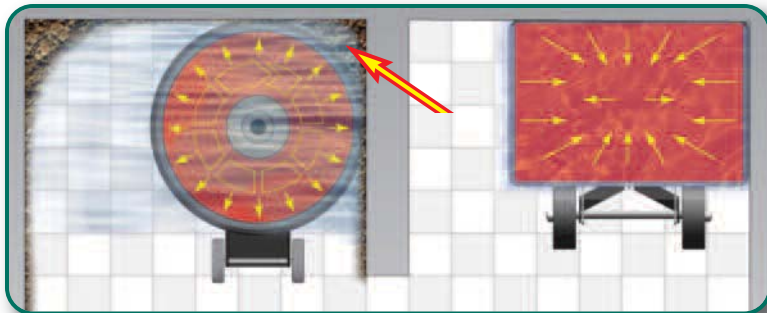
Surface Preparation Technology

- Chemical Free Stripping
- Reduce Slip & Fall Potential
- Earn LEEDS Credits
- 70% Reduction in Water Usage
- Consistent Results – No Swirl Marks

Oversized 6" Wheels
Durability & Smooth Ride



Watch **EDGE** in action at:
www.youtube.com
Search: Tomcat Edge Dry Stripping



SOLD THROUGH DISTRIBUTORS

We've built our reputation by providing the toughest, best-engineered, highest-value machines in our industry. We make sure that in every market in which our 350+ distributors in 40 countries do business, they maintain a "factory" trained service department with a vested interest in our customers' long-term satisfaction.

TOMCAT offers a wide range of cleaning equipment that includes sweepers, scrubbers, burnishers, and scrubber/sweeper combination machines, in both walk-behind and rider models. All of our machines are practical and rugged with a sensible priced. Your local distributor will be happy to assist you with rentals, soap and floor finish information. They typically provide service on a wide range of cleaning equipment brands.

REDUCE SLIP & FALL POTENTIAL



Reduce Slip & Fall: By eliminating chemical stripper one can easily reduce the potential for Slip and Fall accidents and improve employee/customer safety.

AUTHORIZED DISTRIBUTOR



Kleen Kuip Supply Mart Inc.
11 Banigan Drive
Toronto Ontario Canada
416-429-0401
1-800-565-2574
www.kleenkuip.com



Body Construction

Frame Material:	10 Gauge Steel (1/8") (3.2 mm)
Axle:	3/4" Solid Steel (2 cm)
Handlebar:	12 Gauge Steel, Adjustable
Finish:	Powder Paint
Wheels:	6" x 2" Non-Marking (15 x 5 cm)
Weight:	20" ST: 125 lbs. (57 kg)
	20" HD: 165 lbs. (75 kg)
	28" HD: 225 lbs. (102 kg)
	20" HD ProPolish: 265 lbs. (120 kg)
	28" DC: 238 lbs. (108 kg)
	32" DC: 257 lbs. (116 kg)

Brush / Pad System

Dimensions:	Edge-20: 20" x 14" (51 x 36 cm)
	Edge-28: 28" x 14" (71 x 36 cm)
	Edge-32: 32" x 14" (81 x 36 cm)

Motor Power: 1.5 hp (1120 watts)

Motor RPM: ST: 1725 rpm

HD: 3450 rpm

DC: 2900 rpm

AC Current Draw: ST: 7 amps (110v/60 Hz)

HD: 9 amps (110v/60 Hz)

Overland Guard: Standard

Power System

Voltage: All AC Units: 110v/50-60 Hz or 220/50

Hz: DC Units: 24 volt

Cord AC Units: 50' / 12 g Safety Yellow with Lighted Plug

General

Productivity: 20" ST: Up to 1,600 sq. ft / hour

20" HD: Up to 5,000 sq. ft / hour

28" HD: Up to 7,000 sq. ft / hour

20" HD ProPolish: NA

28" DC: Up to 6,200 sq. ft / hour

32" DC: Up to 6,500 sq. ft / hour

Sound Level: ST: < 62 dBA

HD: < 73 dBA

Warranty: 1 Year Parts / 2 Years (1,500 hrs) Motor

Optional Equipment

- Hour Meter
- Water Tank
- Diamond Polishing
- Dust Control
- 2-Part Handle Bar
- Pads, Brushes, Screens