

# 100 SERIES PUMPS - 112V/M35-8



## SPECIFICATIONS

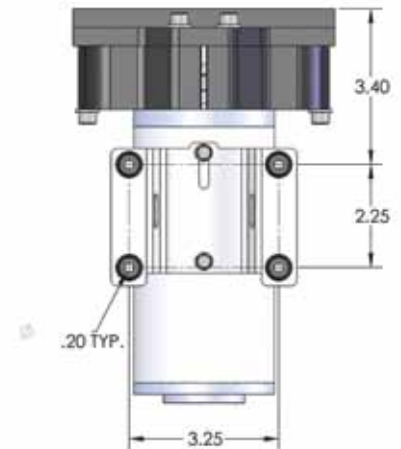
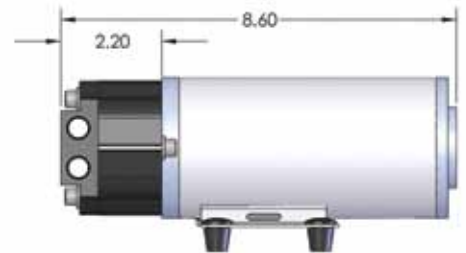
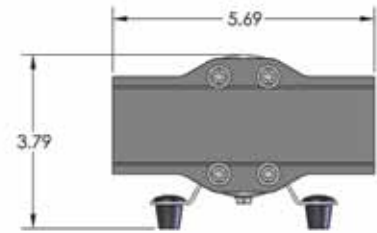
- Max Pressure (psi)** 250
- Open Flow (gpm)** 1.18
- Seals** V-Ring
- O-Rings** Buna
- Inlet Ports (2)** - 1/4" NPT (F)
- Discharge Ports (2)** - 1/4" NPT (F)
- Max Fluid Temp (°F)** 140
- Voltage** 120V

## MATERIALS

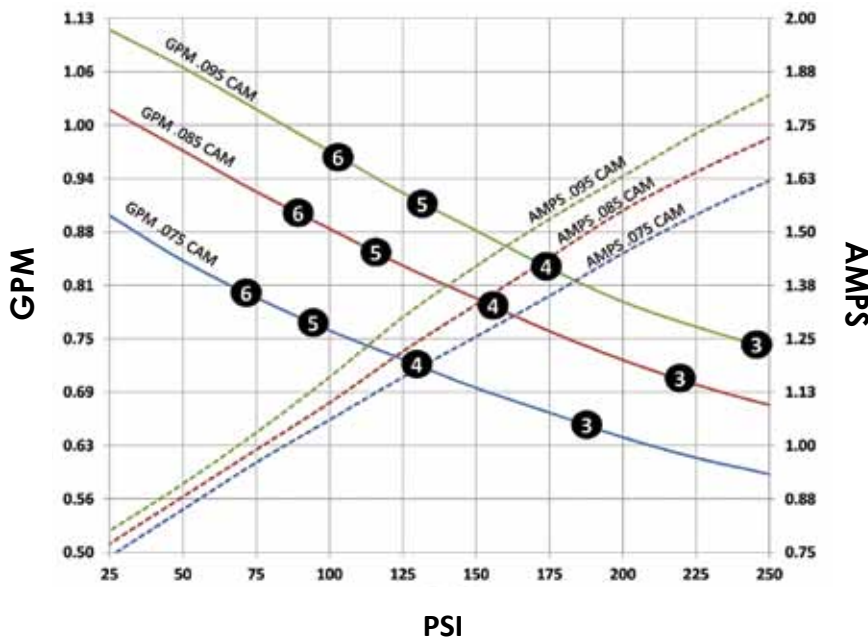
- Body** Hardcoat Aluminum
- Plunger** Stainless Steel
- Valves** Stainless Steel
- Fasteners** Stainless Steel

## EXAMPLE

CAM	AMPS	PSI	GPM
.075	1.06	100	.76



## 112V/M35-8



Data recorded pumping water at room temperature and 115V AC power. Actual performance will vary with voltage, application, and mfg tolerances. Copyright PumpTec, Inc. 2014

● Spraying Systems Co. nozzle sizes

\* Standard cams shown, more cams available upon request